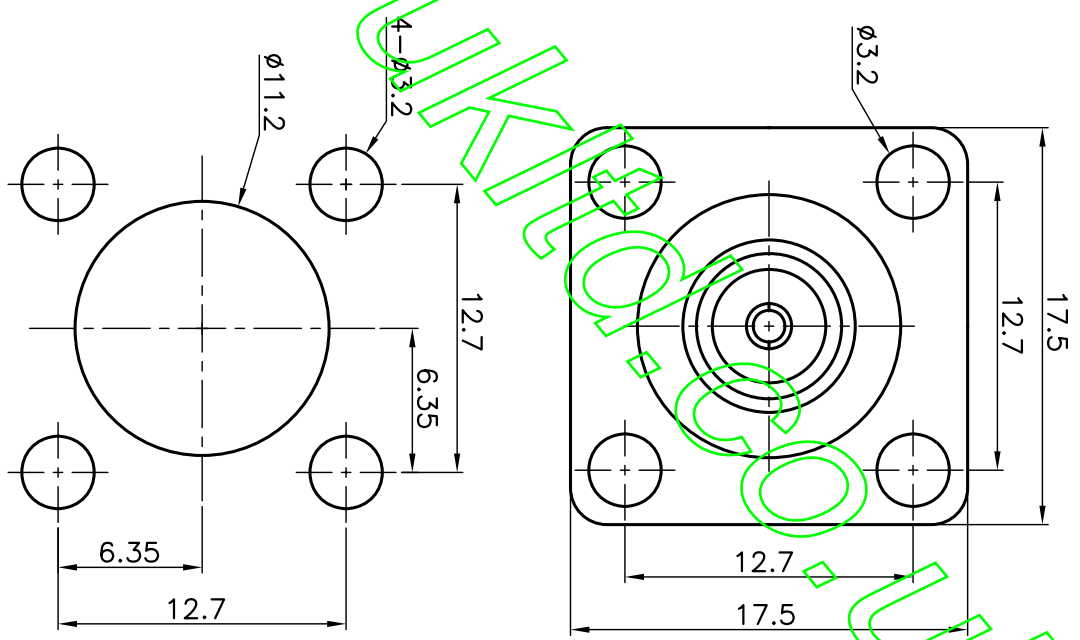
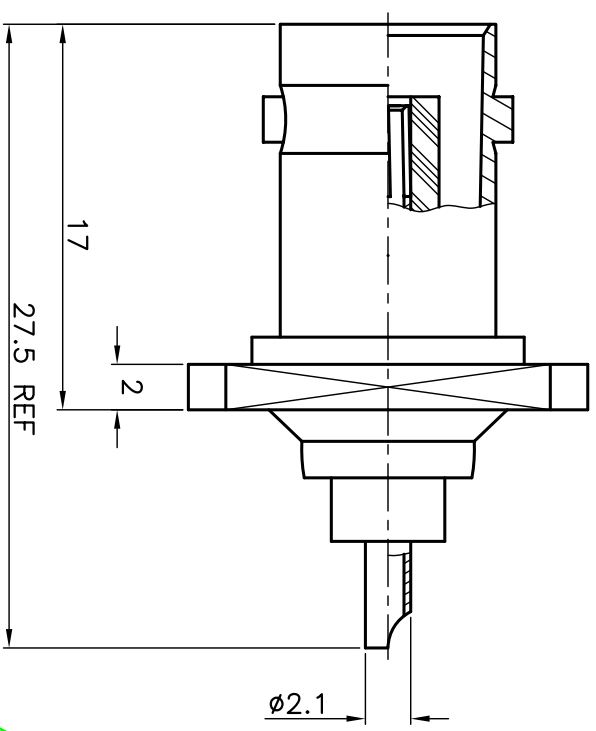


ISS	REVISIONS	DESCRIPTION	DATE

RoHS COMPLIANT



PANEL CUTOUT

CONNECTORS CABLES
CHASSIS MOUNT
DR. NO: 50835-002(B012Q000-DSS)

CHASSIS MOUNT

TITLE: BNC FEMALE CHASSIS MOUNT		APRD: .		UNLESS OTHERWISE SPECIFIED TOLERANCES		NO.		DESCRIPTION		MATERIAL		FINISH	
PART NO: BPAJSS50SS		CHKD: .		0.5-6 = ±0.2		PANEL		BRASS		SILVER		SILVER	
DR. NO: 50835-002(B012Q000-DSS)		DR: .		.6-30 = ±0.4		CONTACT PIN		PHOSPHOR BRONZE		SILVER		SILVER	
030		DATE: 04/11/12"		>30-120 = ±0.6		INSULATOR		DELFIN		WHITE		WHITE	
SHEET: .		UNIT: mm		>120-315 = ±1.1		BODY		BRASS		SILVER		SILVER	
SCALE: 3/1		SCALE: 3/1		>315-1000 = ±1.6		MATERIAL		BRASS		SILVER		SILVER	
				ANGLES = ±1.5°									